

seers

**Lightest
reach**

EQUIPMENT
NIFTY HR12 BOOMLIFT

To hire, call us on
029 2029 0410

NIFTY HR12

seers



NIFTY HR12

The Nifty Height Rider 12 is one of the most versatile and reliable machines in its class. It is specifically designed to give maximum reach performance from the lightest, most compact base possible. A telescopic upper boom gives improved accuracy when positioning the platform and superb manoeuvrability makes it ideal for a wide range of applications.

The HR12's Bi-Energy option allows it to work for extended periods inside and outside, making it the perfect all-rounder.

Available for Next Day Delivery

Hire Machine Only

Hire With Operator

Working Height

12.20m

Outreach

6.10m

Basket Capacity

200kg

Machine Weight

2,860kg (Standard)

Width

1.80 m (Standard)

Power options

Battery Only
Petrol, Diesel or LPG
Only
Bi-Energy (Engine &
Battery)

Hire online



Technical data: Nifty HR

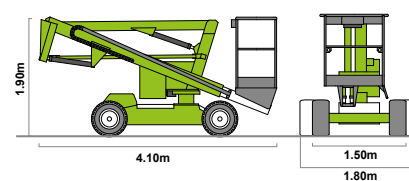
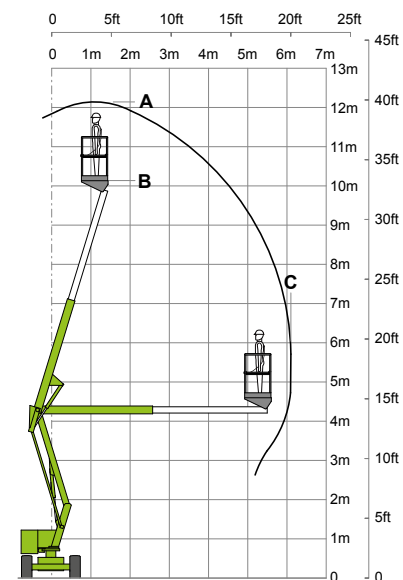
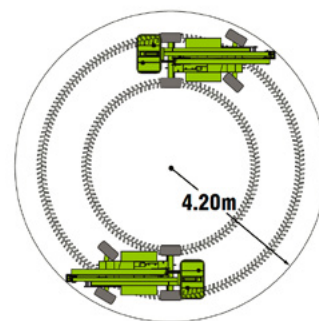
Working Height	12.20m
Platform Height	10.20m
Working Outreach	6.10m
Slew	360°
Width - Standard - Narrow	1.80m 1.50m
Height	1.90m
Length	4.10m
Minimum Weight - Standard - Narrow	2,860kg* 3,100kg*
Turning Radius - Outside	4.20m
Platform Capacity	200kg
Platform Size	1.10m x 0.65m
Drive Speed	2.1mph
Gradeability	25% (14°)
Control System	Fully Proportional Hydraulic
Power Options	Battery Only Petrol, Diesel or LPG Only Bi-Energy (Engine & Battery)



To hire, call us on
029 2029 0410

Safety features

- Automatic Failsafe Brakes
- Tilt Alarm
- Foam Filled or Solid Tyres
- Manual Descent with Hand Pump
- Dual Controls (Platform & Base)
- Lock Valves on all Hydraulic Cylinders
- Dual Harness Points
- CE Mark



Hire online >