

seers

**Compact
flexibility**

EQUIPMENT
CMC S15 SPIDERLIFT

To hire, call us on
029 2029 0410

CMC S15

seers



CMC S15

The CMC S15 spiderlift cherry picker is the most compact machine of its type at only 3.4m long and just 78cm wide. This allows it to pass through single doorways and move easily in to tight corners around buildings.

Popular with maintenance contractors, tree surgeons, cleaning companies and painters the CMC S15 is a great design and very user friendly.

Available for Next Day Delivery

Hire Machine Only

Hire With Operator

Working Height

15m

Outreach

7m

Basket Capacity

200kg

Machine Weight

1,660kgs

Minimum Width

78cm

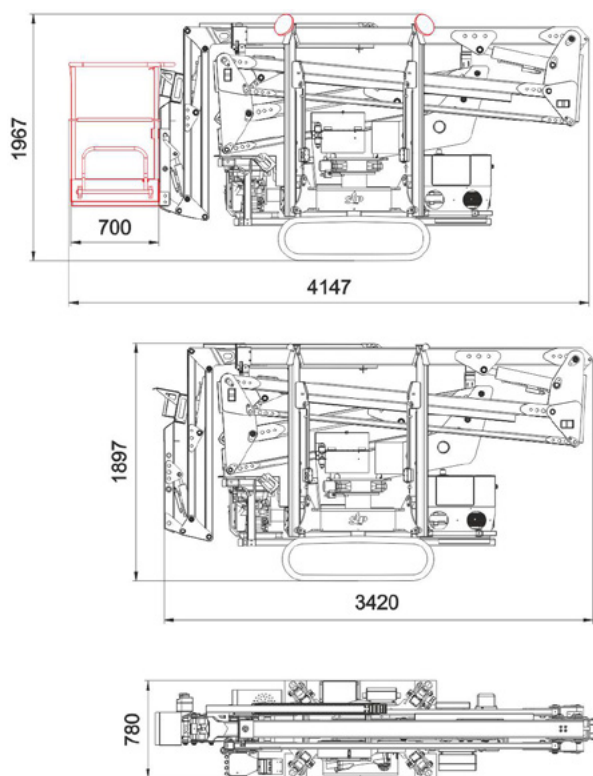
Engine Power

Diesel + 240V

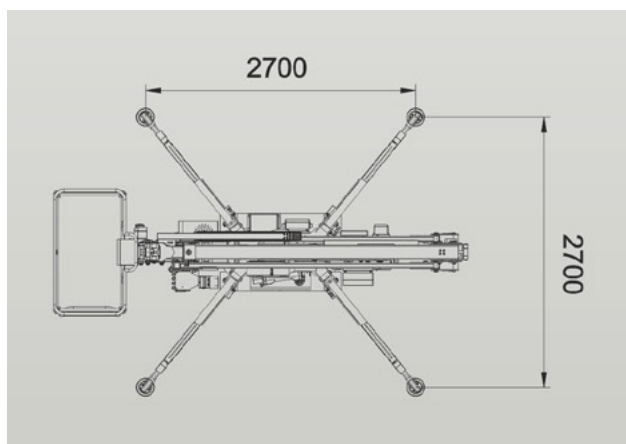
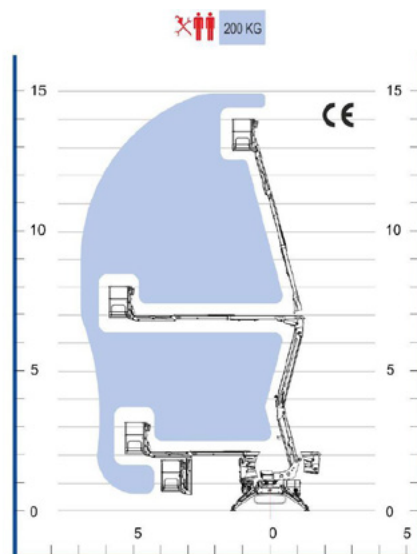
Hire online



CMC S15



To hire, call us on
029 2029 0410



Hire online

